

98 DURAPAN™ Wash Machine & Water Heater Pan

Protects from Water Damage · High-Strength Molded Fiberglass · 32" x 30"



Water damage can happen quickly...and just as quickly, it can become a very expensive clean-up and repair bill. Fortunately, there is effective "insurance" to protect against water damage from clothes washer or water heater spills and leaks...the Model 98 DURAPAN™ from E.L. Mustee & Sons, Inc.


This high strength, impact-resistant molded fiberglass pan features a 2 1/2" tall curb which holds leaks in check while water is directed to a nearby, even remote drain. The Model 98 includes a 90° elbow which can be placed at any point on the side or back wall to facilitate connection...using 1" PVC piping (not included)...to the closest sanitary waste drain.

Install Model 98 DURAPAN™ protection for your washer & water heater, and buy yourself some invaluable peace-of-mind.

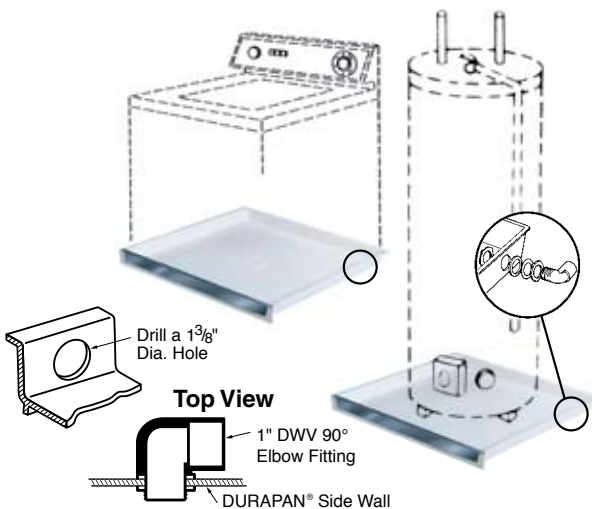
Features:

- Reinforced surface creates additional strength to withstand the weight of a filled washer or water heater.
- Removable stainless steel threshold permits easy washer positioning, placement or leveling.
- Includes a solvent welded 90° PVC elbow which can be positioned anywhere on the side or back walls. The elbow connects with 1" PVC pipe (not included) to enable access to a remote drain.
- Can be secured to the sub-floor to prevent movement by washer vibration.
- Prevents washer from marring the floor surface.
- White semi-gloss finish is mold/mildew resistant and easy to clean.
- Installs easily.

Complies with specifications:

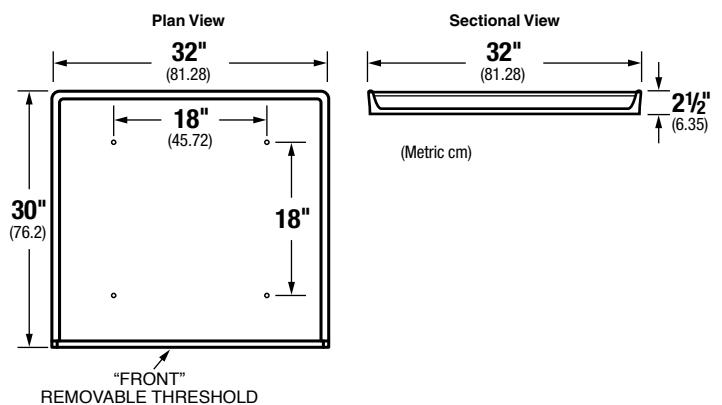
- American Society of Testing & Materials (ASTM) – D 635 Material Flammability, E 84 Flammability and E 162-75 Fire Retardance
- ISO/IEC Approved 17025
- IAPMO® Listed 

Specifications



Model	Drain Position	Overall LxWxH*	Inside LxWxH*
98	Side/Back Wall	30" x 32" x 2 1/2"	28 1/2" x 30" x 2"

*L=Length (left to right); W=Width (front to back); H=Height (from floor surface)



General: Furnish and install as shown on plans DURAPAN™ Wash Machine and Water Heater Pan, Model 98, as manufactured by E.L. Mustee & Sons, Inc. One-piece compression molded fiberglass using matched metal molds under extreme heat and pressure. Shoulder will be no less than 2 1/2" high. Removable aluminum threshold with water tight seal secured by stainless steel screws. May be secured to sub-floor; mounting hardware provided. Shall include (1) 1" NPSM-90° elbow fitting. Color: White.

99 DURAPAN™ Wash Machine & Water Heater Pan

Protects from Water Damage · Molded Fiberglass · 32" x 30" · Center Drain Design



Water damage can happen quickly...and just as quickly, it can become a very expensive clean-up and repair bill. Fortunately, there is effective "insurance" to protect against water damage from clothes washer or water heater spills and leaks...the Model 99 DURAPAN™ from E.L. Mustee & Sons, Inc.


This high strength, impact-resistant molded fiberglass pan features a 2½" tall curb which holds leaks in check while water drains directly into a 2" iron, PVC or ABS (Sch. 40) sanitary waste drain. An IAPMO® Listed drain assembly is included.

Install Model 99 DURAPAN™ protection for your washer & water heater, and buy yourself some invaluable peace-of-mind.

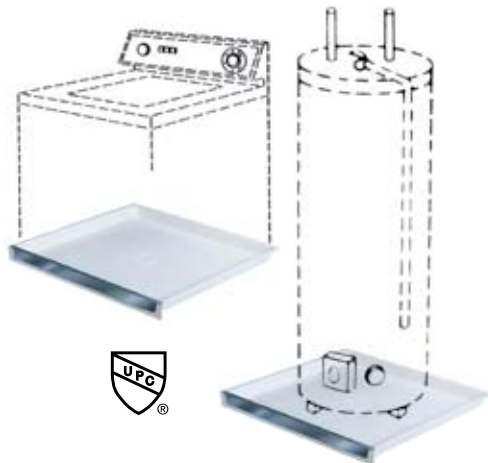
Features:

- Reinforced surface creates additional strength to withstand the weight of a filled washer or water heater.
- Removable stainless steel threshold permits easy washer positioning, placement or leveling.
- Center drain design. Engineered for placement directly over a 2" iron, PVC or ABS (Sch. 40) sanitary pipe.
- Can be secured to the sub-floor to prevent movement by washer vibration.
- Prevents washer from marring the floor surface.
- White semi-gloss finish is mold/mildew resistant and easy to clean.
- Installs easily.

Complies with specifications:

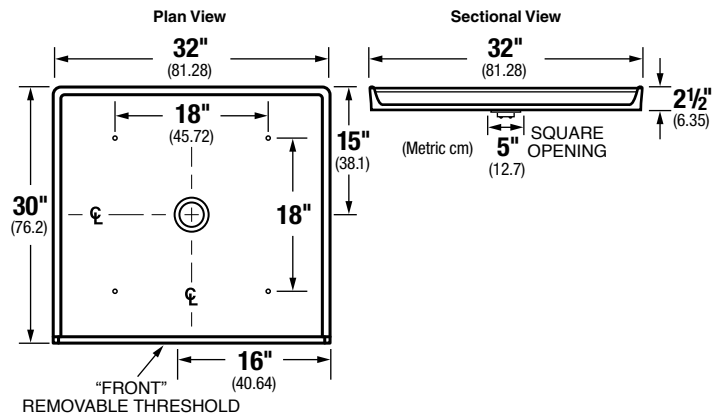
- American Society of Testing & Materials (ASTM) – D 635 Material Flammability, E 84 Flammability and E 162-75 Fire Retardance
- ISO/IEC Approved 17025
- IAPMO® Listed 

Specifications



Model	Drain Position	Overall LxWxH*	Inside LxWxH*
99	Center	30" x 32" x 2½"	28½" x 30" x 2"

*L=Length (left to right); W=Width (front to back); H=Height (from floor surface)



General: Furnish and install as shown on plans DURAPAN™ Wash Machine and Water Heater Pan, Model 99, as manufactured by E.L. Mustee & Sons, Inc. One-piece compression molded fiberglass using matched metal molds under extreme heat and pressure. Shoulder will be no less than 2½" high. Removable aluminum threshold with water tight seal secured by stainless steel screws. May be secured to sub-floor; mounting hardware provided. Shall include drain assembly for connection to 2" iron, PVC or ABS (Sch. 40) sanitary waste pipe. Color: White.

To reorder, specify ADV-492

Notice: Our continuous commitment to product improvement may result in changes to product specifications without notice. Patented and patents pending. ADI/12-09/NM. Made and Printed in U.S.A.