



# 21F Lil'Tub UTILATUB®

## Extra-Narrow Laundry / Utility Tub



Shown with optional 93.600 faucet.

The 21F Lil'Tub UTILATUB® brings all the best in Mustee's full size Laundry/Utility Tub features and benefits to an extra-narrow tub that fits in virtually any laundry room space. "Preferred by the Pros" for decades, Mustee UTILATUB® Laundry/Utility tubs are the quality standard in features, performance and value.

### Features:

- One piece molded tub of impact-resistance polypropylene
- Extra narrow – just 18" wide – fits where other tubs can't
- 15 Gallon capacity, extra deep 12-3/4" tub with smooth surface
- Leakproof, integrally molded-in drain with stopper
- Connects to standard 1½" P-trap
- Accommodates single or dual-handle faucet with 4" or 8" center
- Includes finished steel legs with adjustable levelers
- Mold and mildew-resistant components
- Easy to assemble and install
- Color-fast white finish

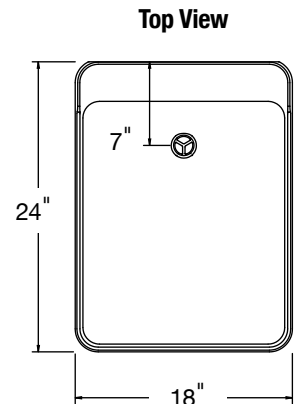
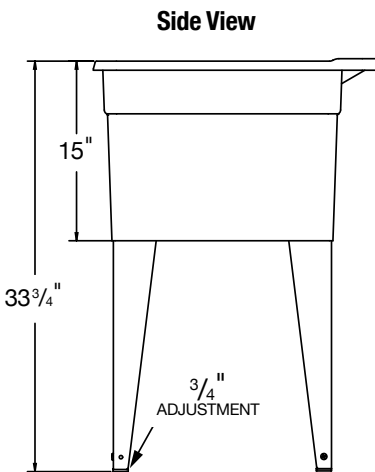
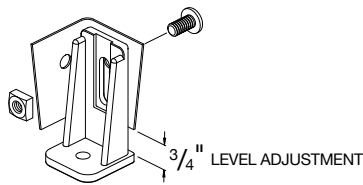


Molded Drain

### Specifications

**General:** Furnish and install as shown on plans, UTILATUB® Laundry/Utility Tub model 21F, as manufactured by E.L. Mustee & Sons, Inc. Tub shall be one-piece molded construction with matched metal molds. Tub to be 18" wide and include integrally molded drain for connection to standard 1-1/2" P-trap, stopper and legs with levelers. 15 gallon capacity tub, 12-3/4" deep. Shall meet ANSI Specification Z 124.6. Color: White. Weight: 15 lbs.

Model	Mounting
21F	Floor



### Code Compliance:

UTILATUB® and UTILATWIN® Laundry/Utility Tubs meet or exceed performance requirements as listed:

- International Association of Plumbing and Mechanical Officials (IAPMO)® Listed US/CANADA 

### Companion Products - ordered separately

See reverse side for optional accessories that can further enhance the installation of your 21F Lil'Tub UTILATUB® Laundry/Utility Tub.



# 21F LilTub UTILATUB®

## Extra-Narrow Laundry / Utility Tub



Shown with optional 93.600 faucet. See below.



The 21F Lil Tub™ UTILATUB® is great for...

- HotWheels® car wash
- Rubber duckie training area
- Indoor splash pool for baby
- Water balloon filling station
- Guppy fishing pond



*Make your Chihuahua feel like a "Big Dog!"*



HotWheels® is a registered trademark of the Mattel Corporation

# 21F LilTub UTILATUB® Accessories

The following factory original accessories are available to help outfit your new 21F UTILATUB® Laundry to meet the specific needs of your installation site. Install Mustee factory-original accessories to realize the best operating performance.

### Swing Spout Faucet



#### Model No.

93.600

#### UPC

6 71031 00232 7

Chrome-finish, 4" center-set, 7" swing spout with aerator and hose end.

### Faucet Block



#### Model No.

20.600

#### UPC

6 71031 00031 6

Use when water supply lines are above the tub. Mounts to tub shelf for use with a clamp-on faucet.



To reorder, specify ADV-512

Notice: Our continuous commitment to product improvement may result in changes to product specifications without notice. Patented and patents pending. © 2013 E.L. Mustee ADI/6-13/NM. Made and Printed in U.S.A.