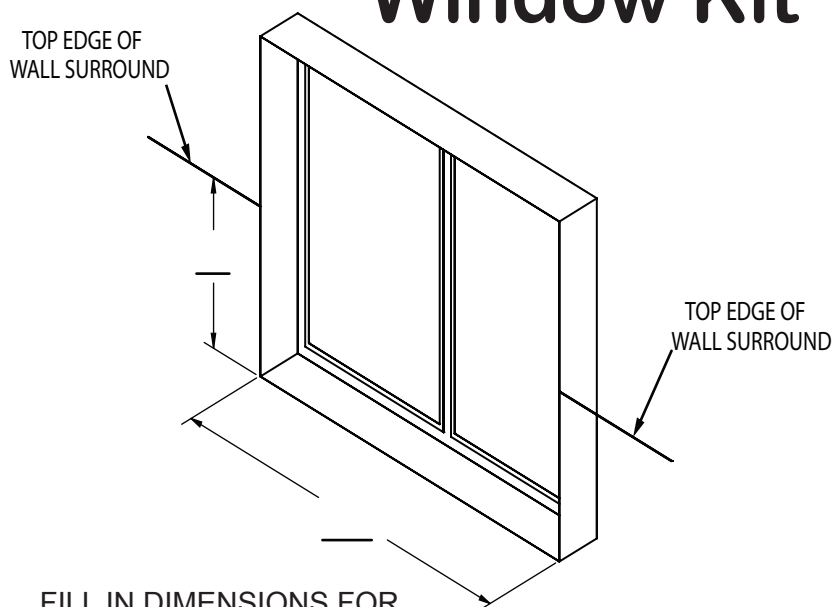


DURATRIM™ Window Kit

MODEL 300.600W

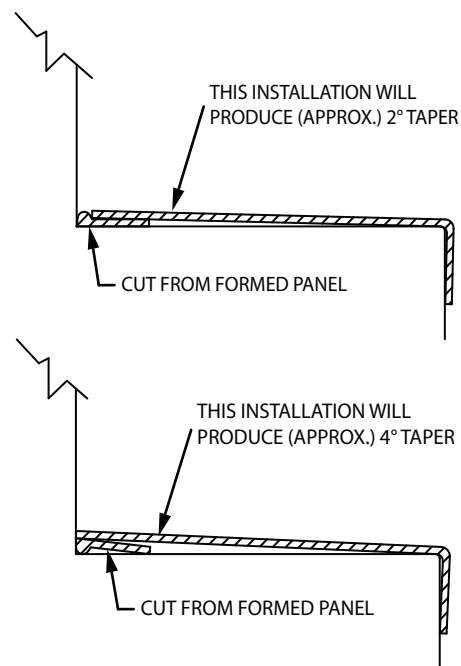
FIBERGLASS



FILL IN DIMENSIONS FOR FUTURE REFERENCE

DOUBLE CHECK ALL MEASUREMENTS BEFORE CUTTING PANELS OR CORNER MOLDINGS

INSTALLATION OPTIONS



- Designed for Mustee Wall Surround or any other wall surround.
- Fits alcove windows up to 36" wide x 8" deep.
- Kit material can easily be trimmed with simple hand tools.
- Universal Formed Panel may be used for either "Side" or "Sill".

EASY TO INSTALL:

1. Remove original window casing (molding), sill or stool that protrudes into bath alcove area. Measure width and depth of sill and both side jambs (at least to top edge of surround).
2. Cut one of the Formed Panels to be used as the "Sill", be sure to leave approximately 1/16" clearance for thermal expansion on width dimension. Be sure bonding surface is clean before applying adhesive. (HINT: Clean surface with a tack cloth prior to applying adhesive.) Apply adhesive directly to surface, spread with trowel and press pre-cut "Sill" panel in place.
3. Measure height of left side of window opening from surface of sill to top edge of surround (recommended), measure depth at surface of sill and also at top edge of surround. Cut one of the Formed Panels to fit. Follow the same cleaning and bonding procedures as outlined for "Sill" Panel.
4. Follow the same procedure for installing the remaining right side panel - BE SURE to remeasure the right side, do not assume that the dimensions are the same for both left and right sides.
5. Caulk (not furnished) seams where side panels overlap sill panel - use smallest bead possible.

MODEL 300.600W

6. Apply adhesive to underside of Corner Molding, position in either corner and press in place. Follow the same procedure for remaining Corner Molding. Block and brace as needed until adhesive cures. (Approx. 24 hours)

SPECIAL NOTICE!!

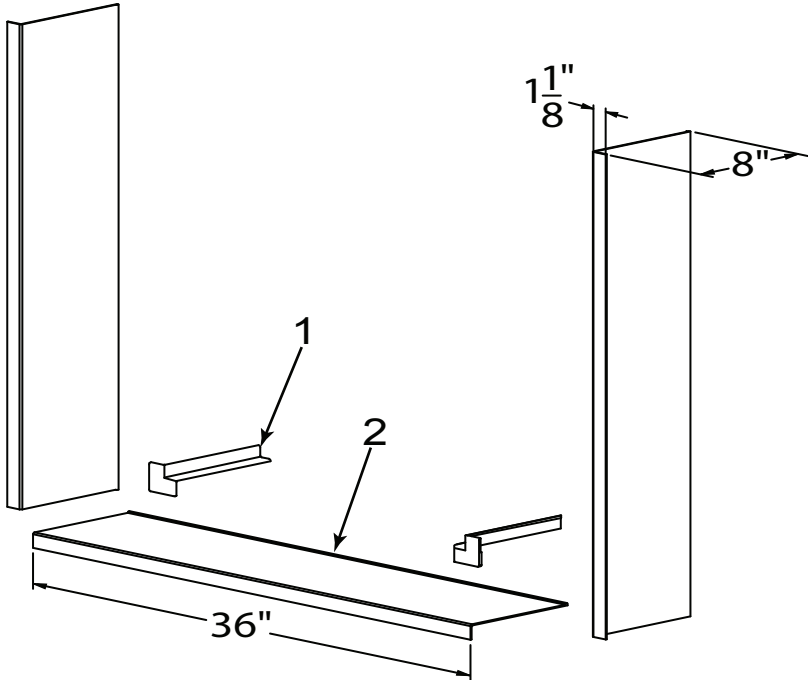
After cleaning excess adhesive with the proper material as specified by adhesive manufacturer - IMMEDIATELY WASH UNIT COMPLETELY WITH A SOAP WATER SOLUTION. This will neutralize any continuing chemical reaction between the solvent and window kit material. FAILURE TO WASH AWAY SOLVENT MAY CAUSE BLEACHING OR LOSS OF COLOR IN WINDOW KIT MATERIAL

CLEANING:

The surface of your DURATRIM Window Kit may be cleaned with a mild soap solution in warm water using a soft cloth. When using a cleaner product, carefully read the label to ensure that the cleaner is safe for use on the material. Stubborn stains can be cleaned using "Soft Scrub" by Clorox®, "Tub & Tile Cleaner" by Lysol® or a powered detergent such as "Spic-n-Span". Do not allow cleaners to sit or soak on the surface. Wipe surface clean and rinse completely with water immediately after cleaner application. Rinse and dry any overspray on nearby surfaces. Never use abrasive scouring powder or steel wool pads, as they will scratch the surface.

A periodic coating of a high quality marine or automotive polish will help retain the finish.

PARTS ILLUSTRATION



KEY NO.	PART NUMBER		DESCRIPTION
	WHITE	BONE	
1	300.605	300.606	Corner Molding - 2 Req'd
2	300.604	300.603	Formed Panel - 3 Req'd
3	350.720	350.720	Adhesive Cartridge (Item Not Shown)