

# INSTALLATION INSTRUCTIONS

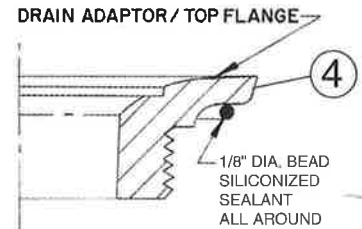
## 60.300A DRAIN KIT (WHITE) 60.300ABN DRAIN KIT (BONE)

To use with the MUSTEE 360 DURABASE® and 3060 SHOWERTUB™.

Thoroughly read and understand instructions before beginning installation of your Drain Kit. Local and state codes must allow the use of 1 1/2" DWV pipe in order to use this Drain Kit.

Proceed as follows:

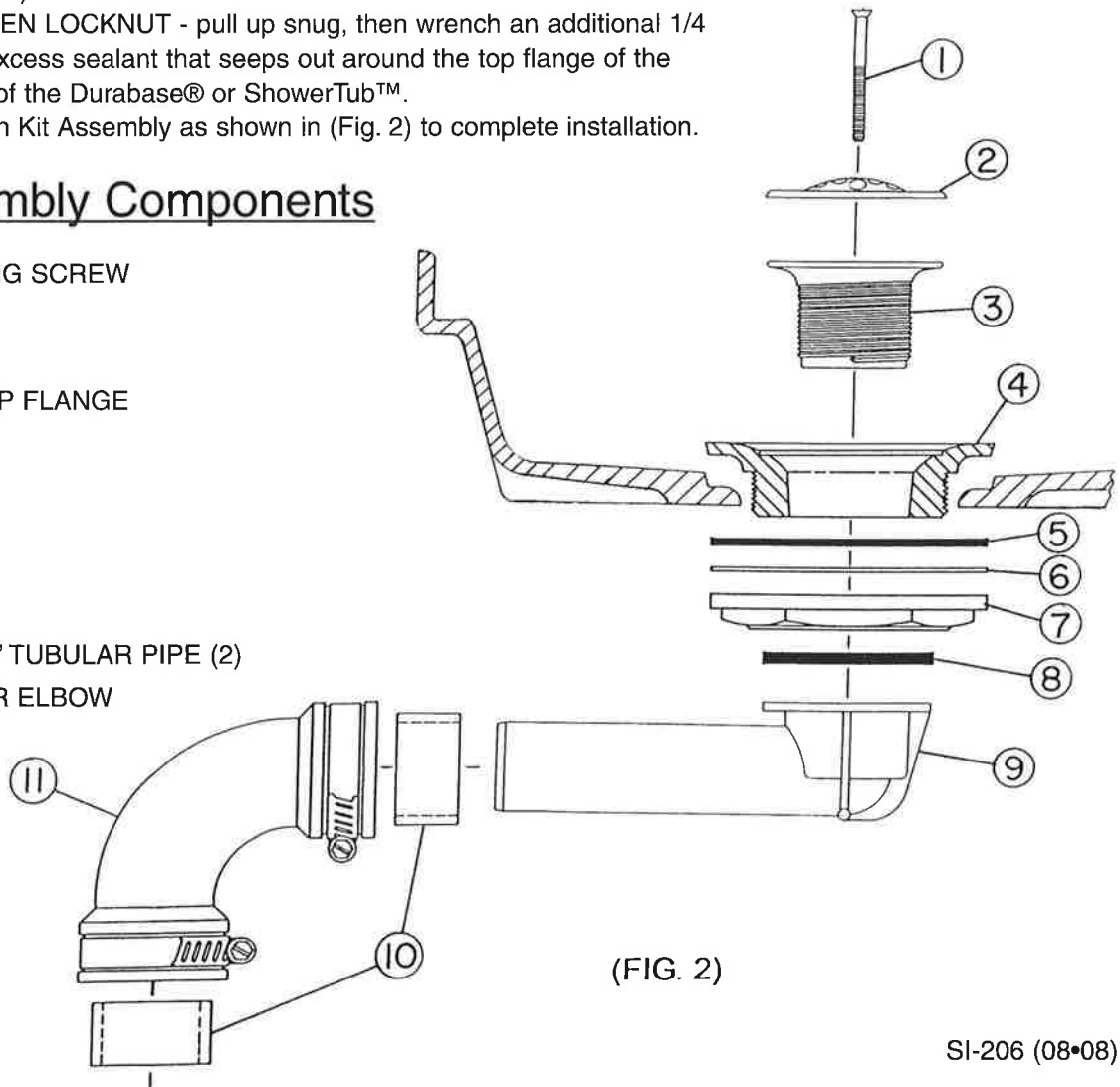
1. Stand and secure the DuraBase® or ShowerTub™ on end with the drain hole up - this will make the installation of the Drain Adapter - PN 60.300A (White) or PN 60.300ABN (Bone) easier.
2. Apply a small bead (approximately 1/8" diameter) of siliconized sealant (not furnished) to the underside of the drain adapter top flange, as shown in (Fig. 1).
3. Insert drain adapter into the drain hole, holding adapter from moving (from the underside of either the DuraBase® or ShowerTub™) first assemble the 1/8" Sealing Washer followed by the Friction Washer and secure in place with Locknut. (Fig. 2 - Component #4, 5, 6 & 7)
4. DO NOT OVERTIGHTEN LOCKNUT - pull up snug, then wrench an additional 1/4 turn. Wipe away any excess sealant that seeps out around the top flange of the adapter on the inside of the Durabase® or ShowerTub™.
5. Attach remainder Drain Kit Assembly as shown in (Fig. 2) to complete installation.



(Fig. 1)

## Drain Kit Assembly Components

1. STRAINER RETAINING SCREW
2. STRAINER
3. DRAIN BODY
4. DRAIN ADAPTER TOP FLANGE
5. SEALING WASHER
6. FRICTION WASHER
7. LOCKNUT
8. SEALING WASHER
9. DRAIN ELL & TUBE
10. BUSHING FOR 1 1/2" TUBULAR PIPE (2)
11. 2" - 90 DEG. RUBBER ELBOW



(FIG. 2)