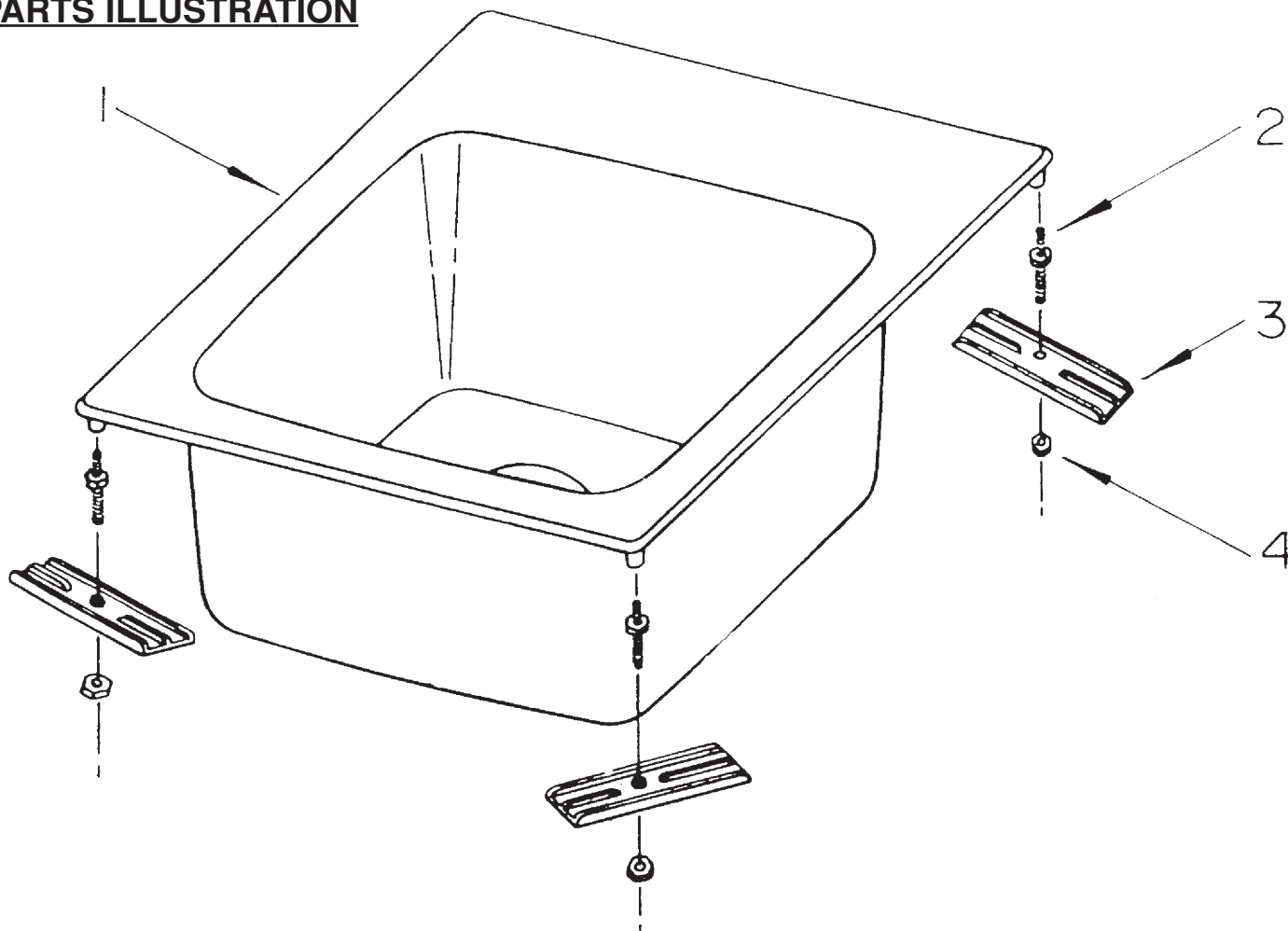


# MUSTEE HOSPITALITY SINK MODEL 11

“SELF RIMMING – COUNTERTOP MOUNTED”

## PARTS ILLUSTRATION



## PARTS LIST

KEY NO.	PART NUMBER							DESCRIPTION
	WHITE	BONE						
1	11.101	11.102						Self Rimming Sink
2	*	*						Mounting Stud (4 Required)
3	*	*						Mounting Plate (4 Required)
4	*	*						Mounting Nut (4 Required)

**\* NOTE:** FOR REPLACEMENT HARDWARE, ORDER COMPLETE PARTS PACKAGE  
PART NO. 10.606 – PACKAGES WILL NOT BE SPLIT FOR INDIVIDUAL PARTS.

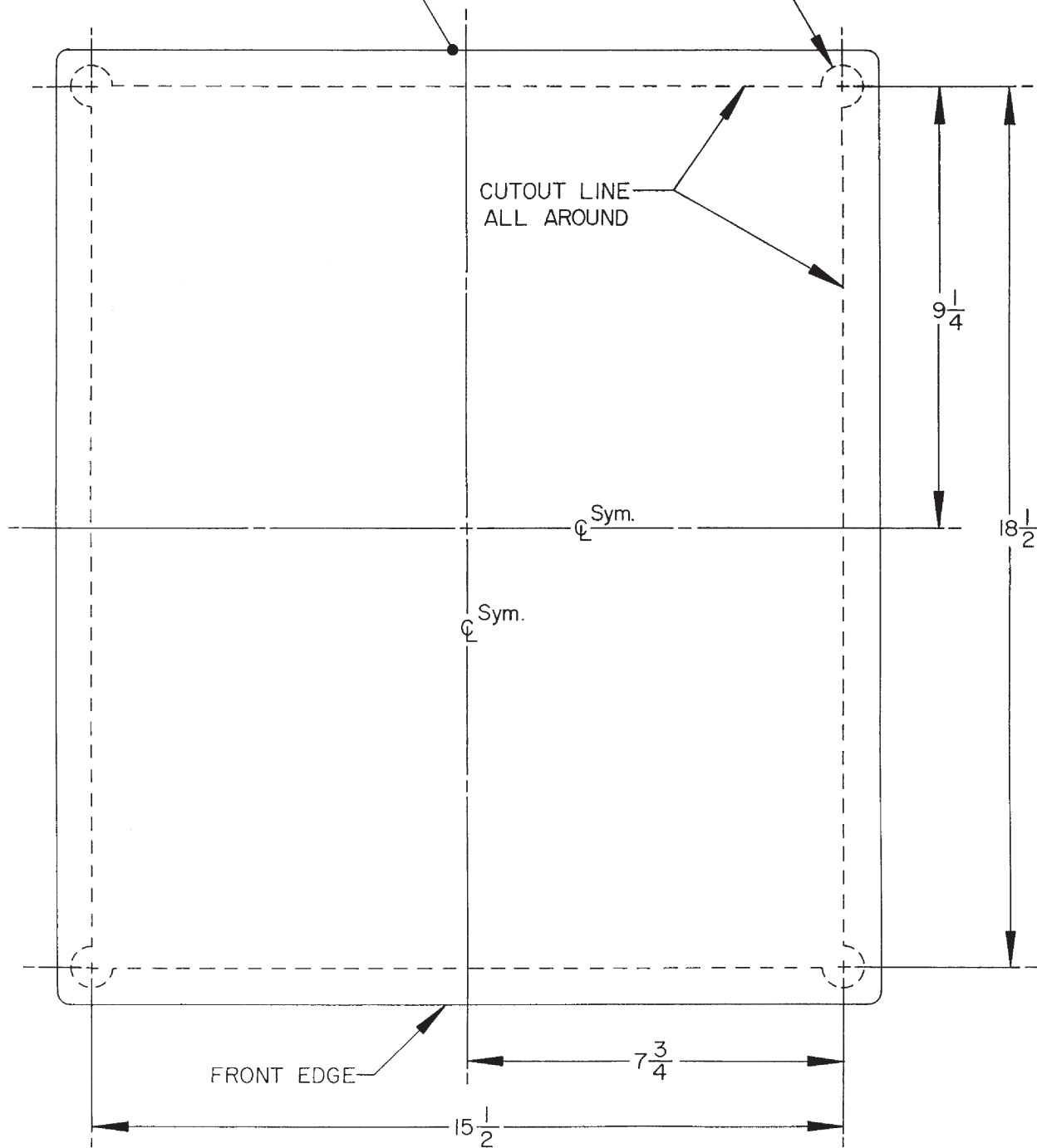
**E.L. MUSTEE & SONS, INC.**

5431 West 164th Street • Brook Park, Ohio 44142

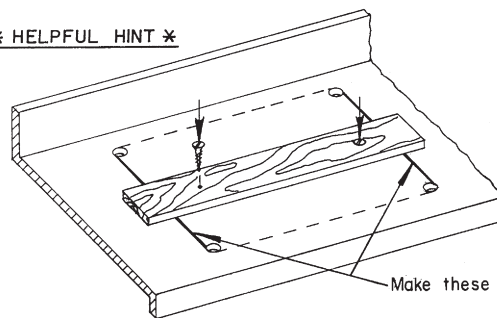
# COUNTERTOP CUTOUT DETAILS

SINK OUTLINE — DO NOT CUT ON THIS LINE!!

7/8" DIA. DRILLED HOLE - 4 REQ'D.

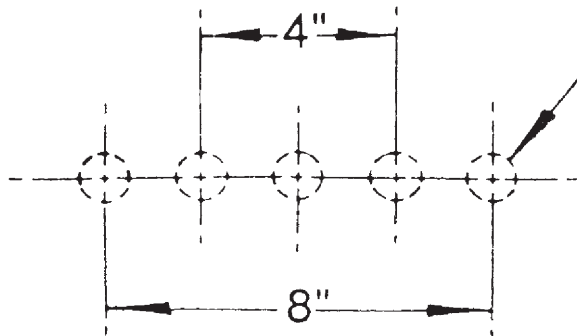


\* HELPFUL HINT \*



After making cuts along sides of cutout, secure a board as shown to prevent cutout from possibly damaging countertop or prematurely dropping.

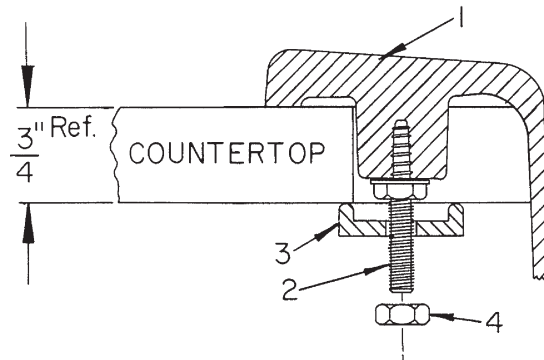
3. The rear ledge of your **Hospitality Sink** will accept many different faucets; 4" Center Set on center, 4" Center Set either right or left, 8" Center Set on center. Depending on the model faucet you choose, the appropriate holes will have to be drilled. You will notice that there are five indented hole locators molded-in, on the underside of the rear ledge, do not cut out faucet holes until you have measured the actual faucet you intend to use — some single lever faucets require a large center/supply hole and small diameter mounting holes. A 1" diameter, fine tooth hole saw with center drill pilot would normally be used for the majority of faucet hole drilling. Drill from underside of rear ledge to mark center, turn upright to finish cutting with hole saw.



**INDENTED HOLES ON UNDERSIDE OF REAR LEDGE TO BE DRILLED OUT BY CUSTOMER TO ACCEPT EITHER 4" OR 8" SUPPLY CENTER FAUCETS**

**FAUCET HOLE DETAIL**

4. Install "Basket" Style Drain Assembly per manufacturer's instructions. The **Hospitality Sink** is furnished with a 3 1/2" diameter drain hole.
5. Install Mounting Studs (2) in each corner lug — CAUTION — DO NOT OVERTIGHTEN!! A standard 5/16" socket or wrench is required. Screw stud in place until nut makes contact with bottom of lug — continue 1/4 turn, maximum. Repeat this operation for each mounting lug. — See "TYPICAL STUD INSTALLATION"



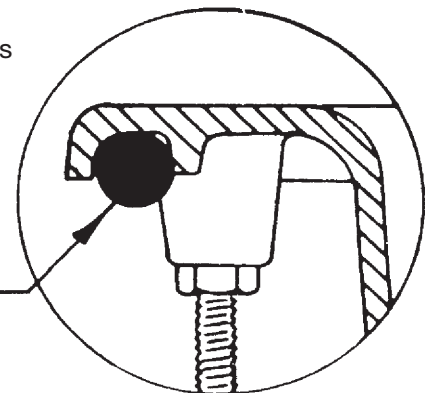
**HINT:**  
**APPLY A DAB OF SILICONIZED SEALANT TO THREADS TO LUBRICATE STUD AND EASE INSTALLATION.**

**TYPICAL STUD INSTALLATION**

6. Apply a bead of clear siliconized sealant\* (not furnished) all around the underside of the rim in the molded-in groove — See Detail Drawing. Place **Hospitality Sink** into the countertop cutout, secure from the underside with hardware provided. You will need a 7/16" socket or wrench to secure Mounting Nuts (4) in place. Wipe away any excess sealant that squeezes out during tightening. — See "CAULKING / SEALANT DETAIL"

**APPLY A BEAD OF SILICONIZED SEALANT\* APPROXIMATELY 3/8" DIA. — THIS AREA, AROUND UNDERSIDE OF RIM.**

\*Siliconized Sealant such as:  
 CELULON™ Plumbing & HVAC  
 Adhesive Sealant by Red Devil®



**CAULKING/SEALANT**

7. Complete water supply and proper sanitary waste trap connections as specified by local code requirements.

Numbers in ( ) parentheses refer to Key Numbers in Parts List.

# MUSTEE HOSPITALITY SINK MODEL 11



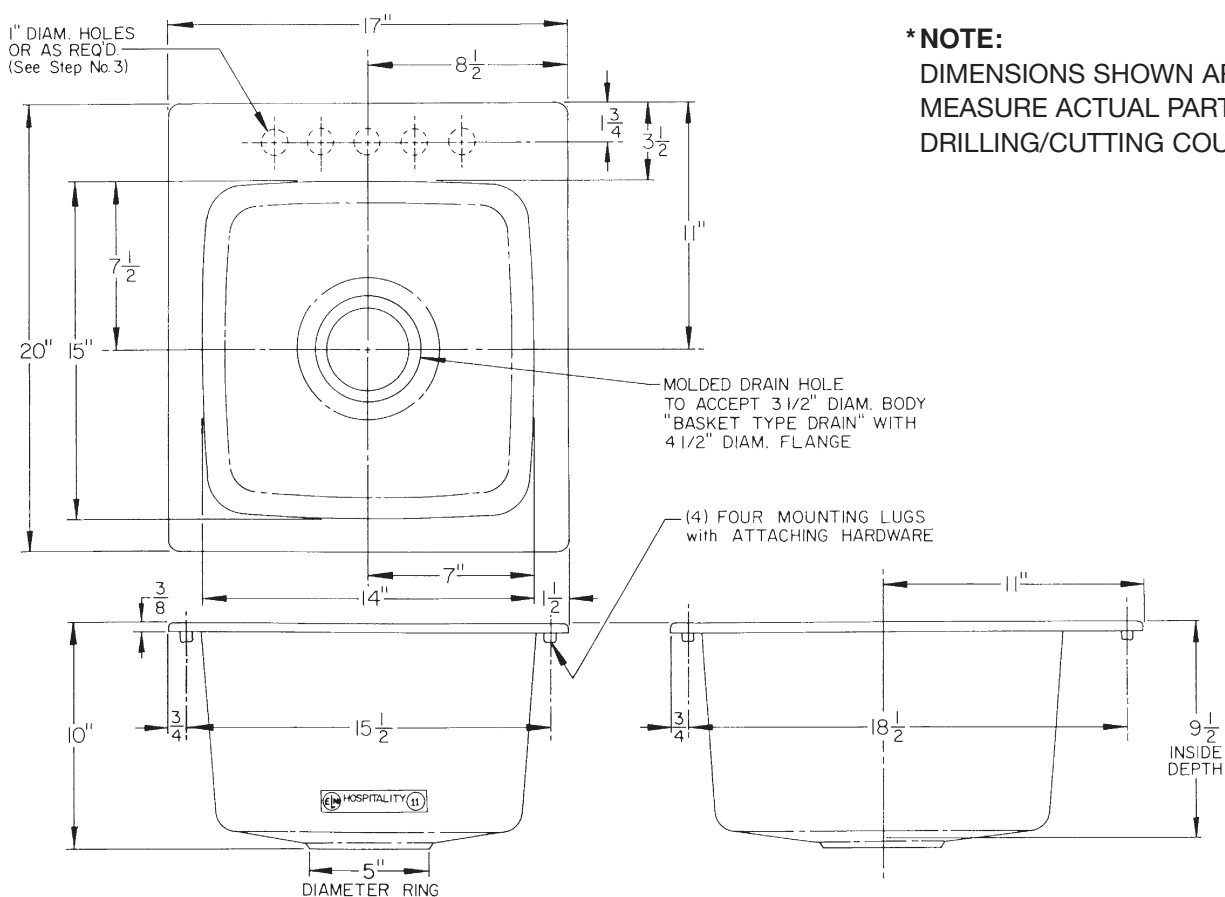
Your **Hospitality Sink** requires a 15 1/2" x 18 1/2" countertop cutout. Refer to Rough-In for detail dimensions.

**NOTE:** The centerline of the drain is located 11" from the back edge and 8 1/2" from either side. If you choose, you may use your **Hospitality Sink** as a template for laying out the countertop cutout. Measure actual part before drilling or cutting countertop.

## CARE AND CLEANING

The surface of your **Self-Rimming Countertop Sink** may be cleaned with a mild soap in warm water using a soft cloth. For stubborn stains use "Soft-Scrub" by Clorox or Lysol "Tub & Tile Cleaner" or a powdered detergent such as "Spic-n-Span." Never use abrasive scouring powder or steel wool pads as they will dull the surface. A periodic coating of a silicone based marine polish will help retain the fine finish.

## ROUGH-IN DIMENSIONS



**\*NOTE:**  
DIMENSIONS SHOWN ARE NOMINAL,  
MEASURE ACTUAL PARTS BEFORE  
DRILLING/CUTTING COUNTERTOP.

1. Place **Hospitality Sink** (1) upside down on countertop in desired location — hold sink in place and scribe a guide line all around the rim with a pencil.

### HINT:

If pencil does not mark surface of countertop, you may apply 2" wide masking tape to the approximate area and do the marking directly on the tape surface. Leave tape in place to protect countertop surface during drilling and cutting.

2. Remove **Hospitality Sink**, measure in 3/4" from guide line all around; this will be your cutting line. Measure in 3/4" in each corner; this will be the center point for the 7/8" diameter hole — 4 required. Insert (fine tooth) sabre saw blade into one of the corner holes and cut along "Cutout line." — See "Countertop Cutout Details"

**E.L. MUSTEE & SONS, INC.**

5431 West 164th Street • Brook Park, Ohio 44142

SI-166 (6•06)